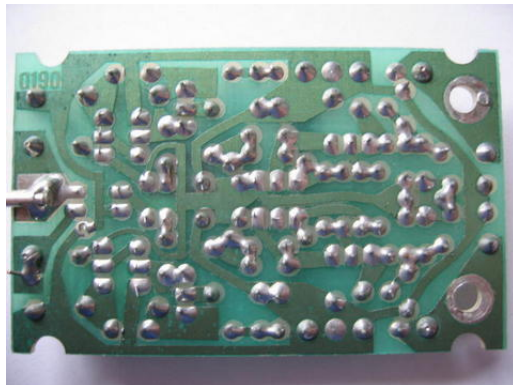
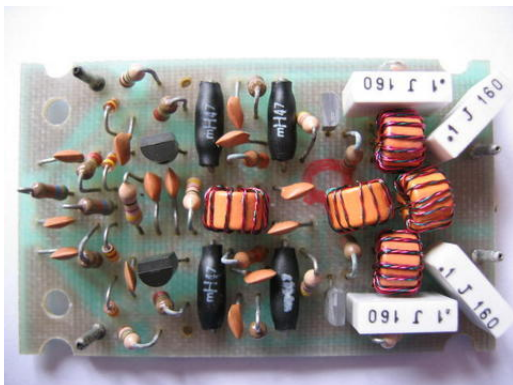
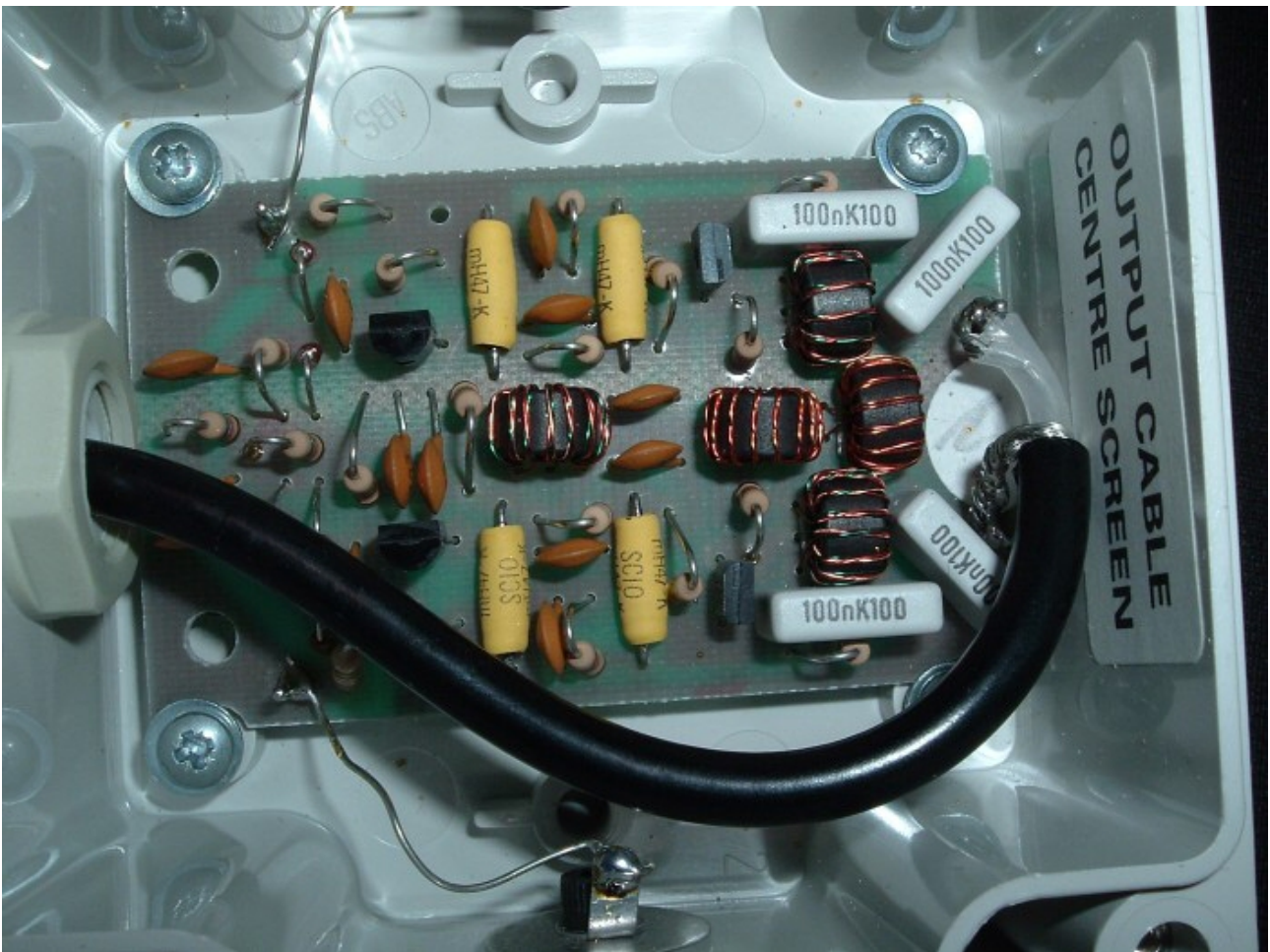


DATONG AD270 AD370 IB1

## Datong AD270 AD370 IB1

These drawings and pictures were supplied by David G8SZX. Here they are in PDF format to make an *unofficial* service manual.

### Head Unit



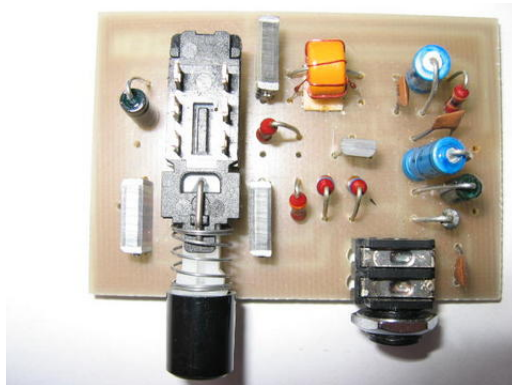
<http://datongarchive.googlepages.com/>

DATONG AD270 AD370 IB1

### ***IB1 Interface Unit***



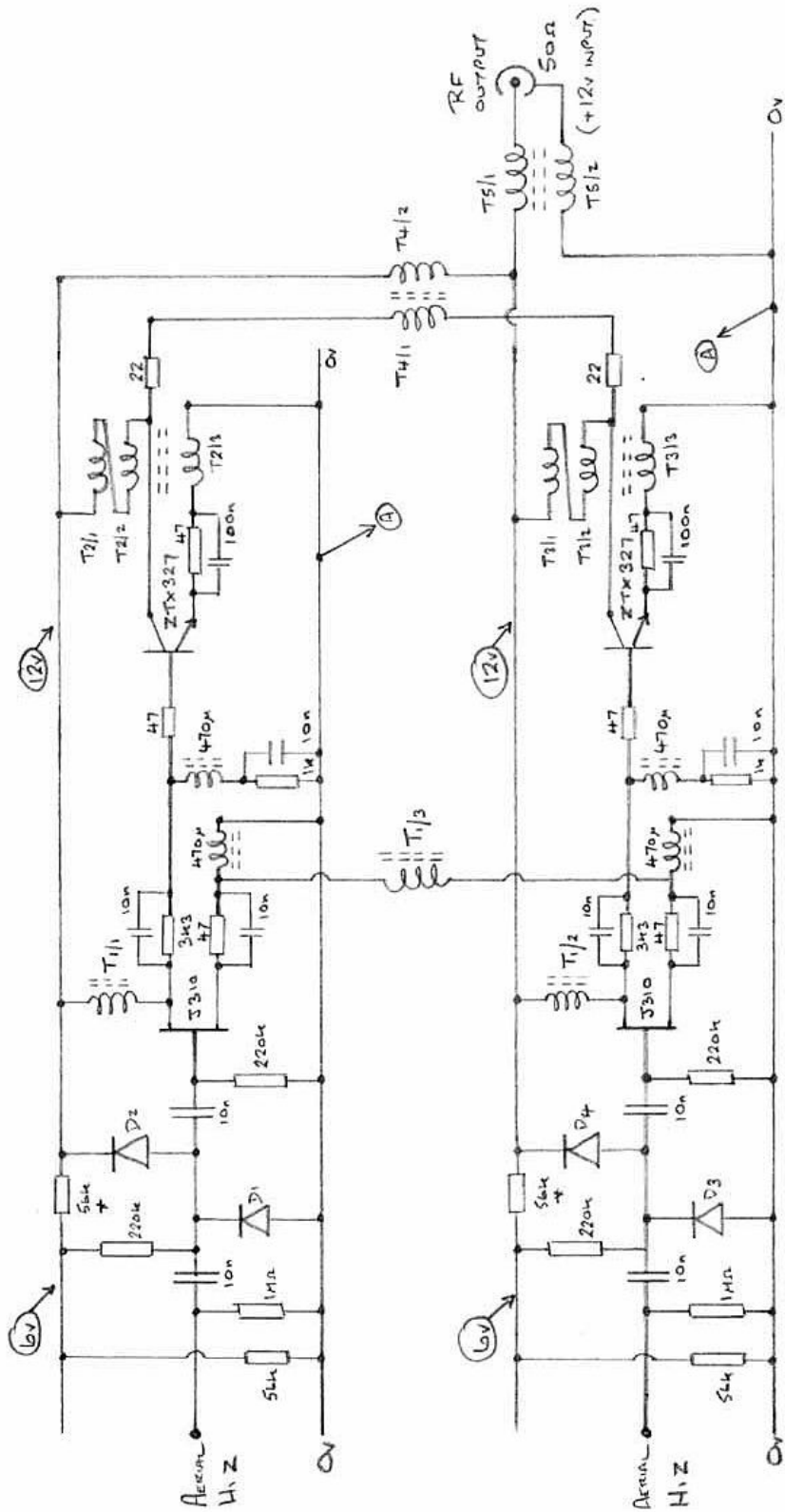
This one looks rather burnt up!





Interface unit showing component values.

DATONG AD270/370 HEAD UNIT



\* = 1 RESISTOR SHARED BETWEEN BOTH AMPLIFIERS

12/10/83

